

4

3

2

1

D

D

C

C

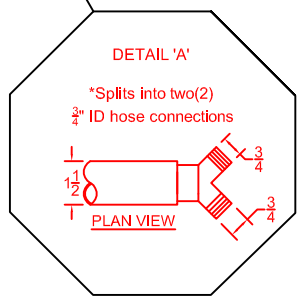
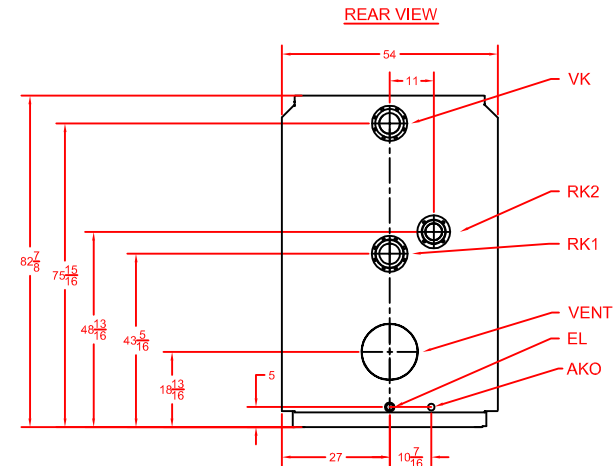
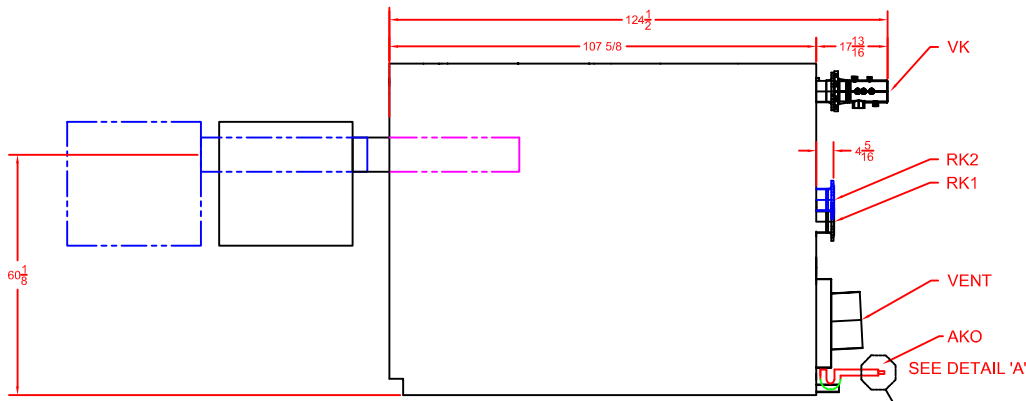
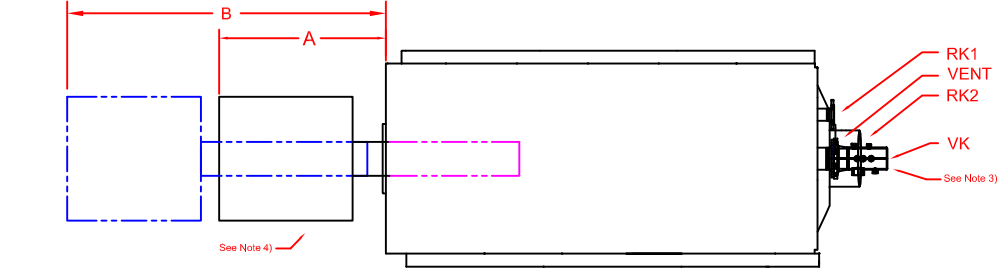
B

B

A

A

REVISIONS			
REV	DESCRIPTION	DATE	APPROVED
A	Released	5/12/2009	



SB735-1200 KW (4179 MBh)			
Make	Riello	Power Flame	Power Flame 20 ppm
Model	RS100/M	C3-G-25B	NP2-G-520
A	45 11/16	39 1/2	40 3/8
B	60 13/16	44	74 7/8

Legend		
ABR.	Name	Size
VK	Supply	5
RK1	Return 1	4
RK2	Return 2	4
AKO	Condensate Drain	3/4
EL	Boiler Drain	1

NOTE 1. 'A' Dimension is to the back of the burner.
 'B' Dimension is the extraction dimension.

2. All dimensions are in inches.
 3. Manifold provided, field assembly required.
 4. Burner shipped separately; field assembly required.

Bosch Thermotechnology Corp.
 50 Wentworth Ave.
 Londonderry, NH 03053
 Phone: 603-552-1100

Tolerance

Fraction=±1/4"
 x.x=±0.030
 x.xx=±0.015
 x.xxx=±0.005

(UNLESS OTHERWISE NOTED)

This drawing is the exclusive property of Bosch Thermotechnology Corporation, it may not be reproduced or given to third parties.

Drawn By:
 M SPIRIDIGLOZZI

Approved By:
 J MILLS

Buderus Bosch Thermotechnology Corp.

Bosch Group

DESCRIPTION
 SB735-1200 BOILER BURNER SPECIFICATION

SIZE	SCALE	PART NO.	REV.
A	1/4" = 1'	BTC 434006103	A

DATE 4/2/2009 SHEET 1 of 1

4

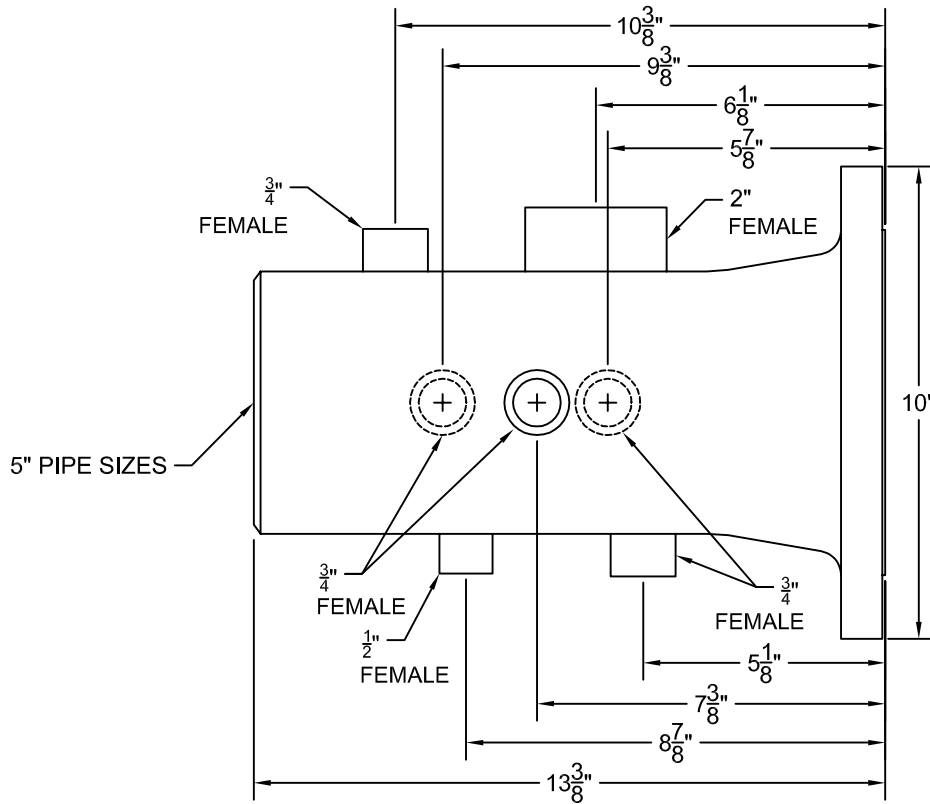
3

2

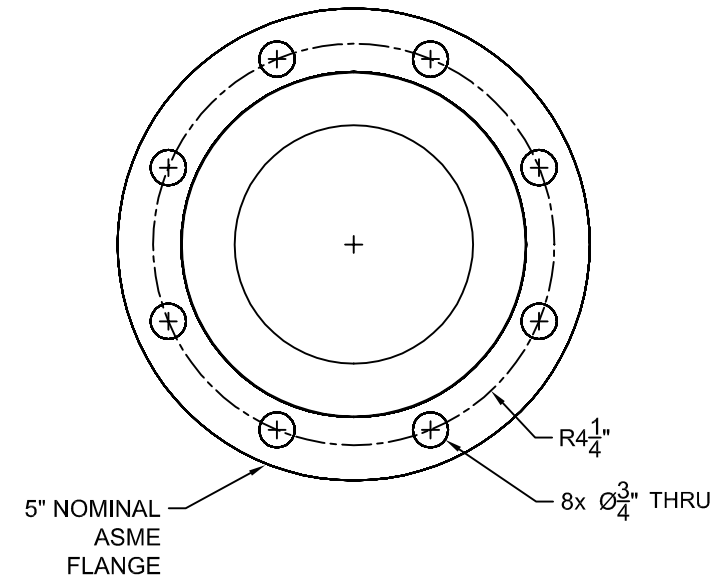
1

REVISIONS

REV	DESCRIPTION	DATE	APPROVED
A	RELEASED	6/12/2009	



SIDE VIEW



END VIEW

NOTE

- All dimensions are in inches.
- All pipe sizes are NPT.

Bosch Thermotechnology Corp.
50 Wentworth Ave.
Londonderry, NH 03053
Phone: 603-552-1100

Tolerance

Fraction = $\pm \frac{1}{4}$ "
x.x = ± 0.030
x.xx = ± 0.015
x.xxx = ± 0.005

(UNLESS OTHERWISE NOTED)

This drawing is the exclusive property of Bosch Thermotechnology Corporation, it may not be reproduced or given to third parties.

Drawn By:
M SPIRIDIGLOZZI

Approved By:
J MILLS

Buderus

Bosch Group

Bosch Thermotechnology Corp.

DESCRIPTION

SB735/970-1200 5" SUPPLY MANIFOLD SPECIFICATION

SIZE

A

SCALE

NTS

PART NO.

BTC 434006107

REV.

A

DATE 6/9/2009

SHEET 1 of 1

4

3

2

1