

4

3

2

1

D

D

C

C

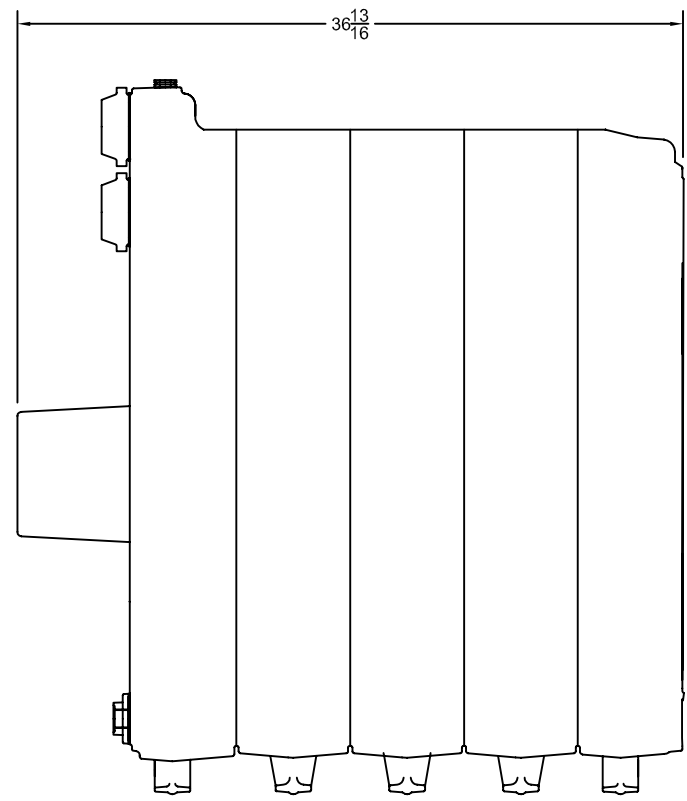
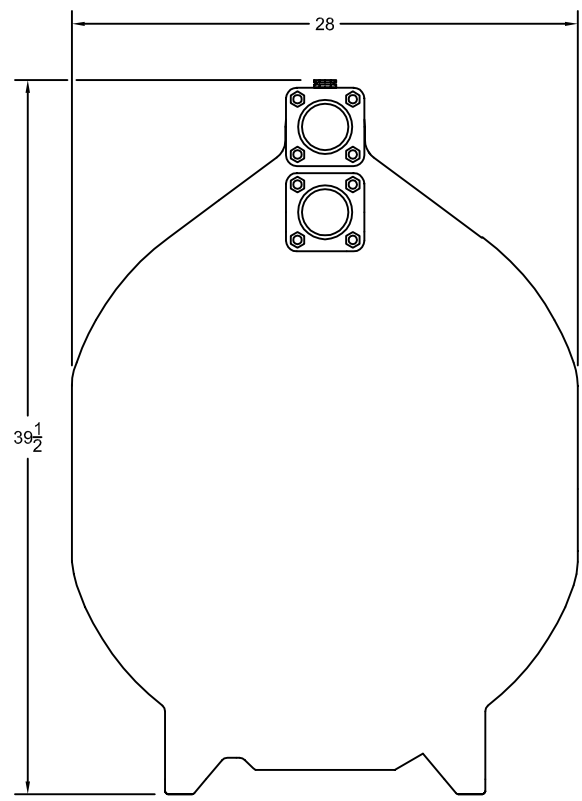
B

B

A

A

REVISIONS			
REV	DESCRIPTION	DATE	APPROVED
A	RELEASED		



NOTE 1. All dimensions are in inches.  
 2. Door Dimensions are not included.

Bosch Thermotechnology Corp.  
 50 Wentworth Ave.  
 Londonderry, NH 03053  
 Phone: 603-552-1100

Tolerance  
 Fraction = ± 1/4"  
 x.x = ± 0.030  
 x.xx = ± 0.015  
 x.xxx = ± 0.005  
 (UNLESS OTHERWISE NOTED)

This drawing is the exclusive property of Bosch Thermotechnology Corporation, it may not be reproduced or given to third parties.

Drawn By:  
 M SPIRIDIGLOZZI  
 Approved By:  
 J MILLS

**Buderus**  
 Bosch Group

Bosch Thermotechnology Corp.

DESCRIPTION  
 G315-5 BOILER BLOCK DIMENSIONS

SIZE <b>A</b>	SCALE NTS	PART NO. BTC 410006106	REV. A
------------------	--------------	---------------------------	-----------

DATE 5/6/2009	SHEET 1 of 1
---------------	--------------

4

3

2

1

4

3

2

1

D

D

C

C

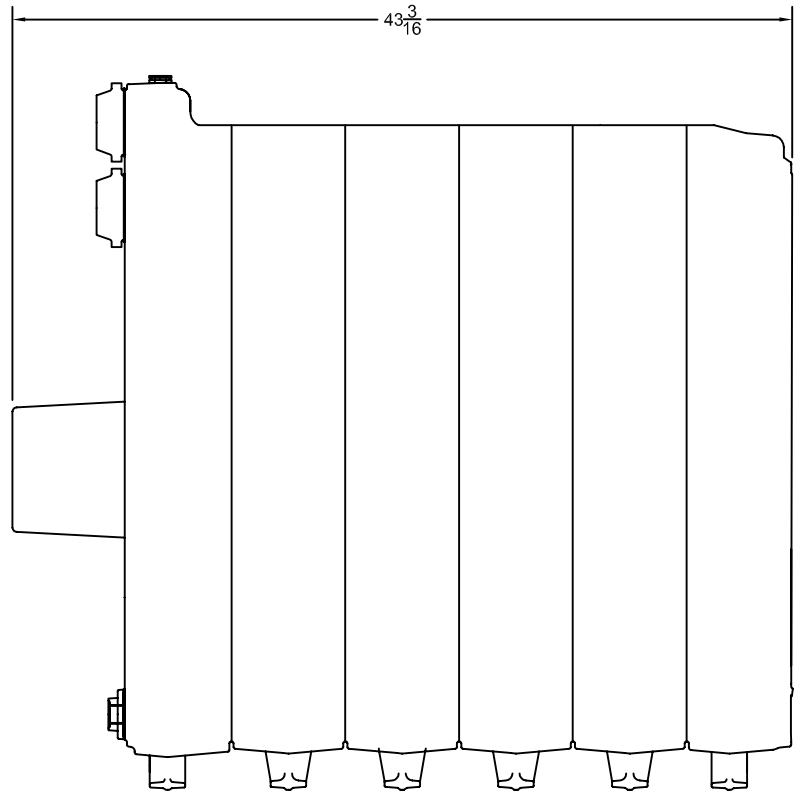
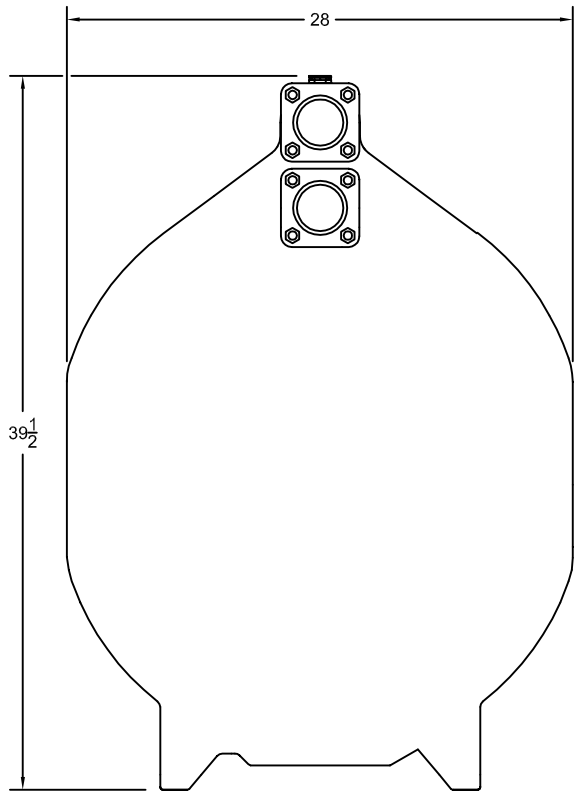
B

B

A

A

REVISIONS			
REV	DESCRIPTION	DATE	APPROVED
A	RELEASED		



NOTE 1. All dimensions are in inches.  
 2. Door Dimensions are not included.

Bosch Thermotechnology Corp.  
 50 Wentworth Ave.  
 Londonderry, NH 03053  
 Phone: 603-552-1100

This drawing is the exclusive property of Bosch Thermotechnology Corporation, it may not be reproduced or given to third parties.



Bosch Thermotechnology Corp.

Tolerance  
 Fraction = ± 1/4"  
 x.x = ± 0.030  
 x.xx = ± 0.015  
 x.xxx = ± 0.005  
 (UNLESS OTHERWISE NOTED)

Drawn By:  
 M SPIRIDIGLOZZI  
 Approved By:  
 J MILLS

DESCRIPTION G315-6 BOILER BLOCK DIMENSIONS			
SIZE A	SCALE NTS	PART NO. BTC 410006107	REV. A
DATE 5/6/2009		SHEET 1 of 1	

4

3

2

1

4

3

2

1

REVISIONS

REV	DESCRIPTION	DATE	APPROVED
A	RELEASED		

D

D

C

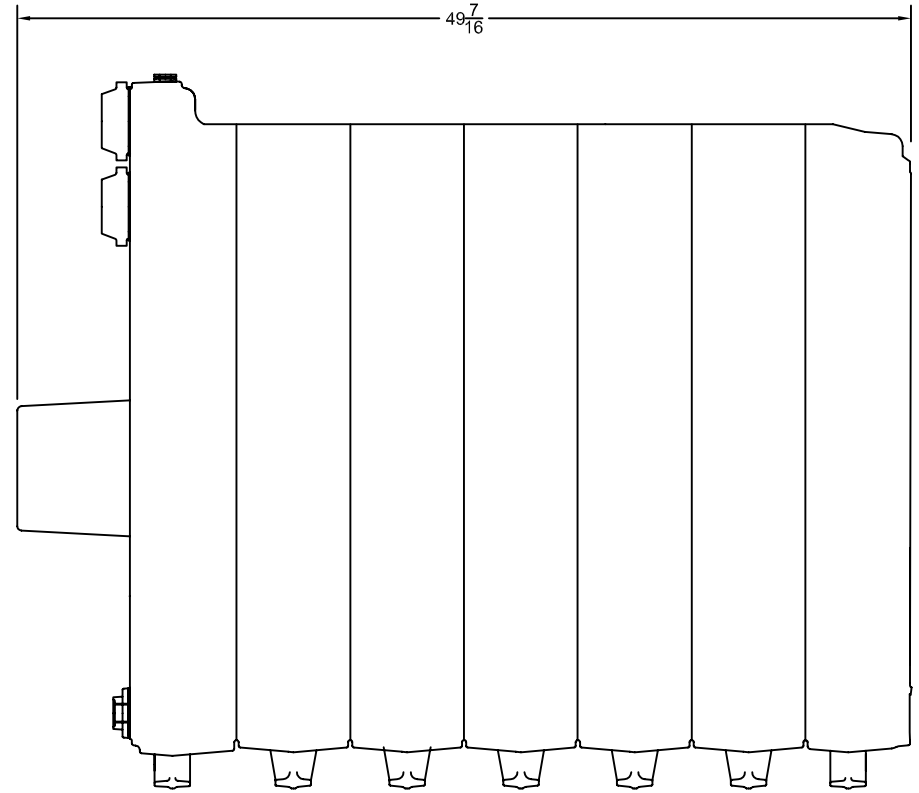
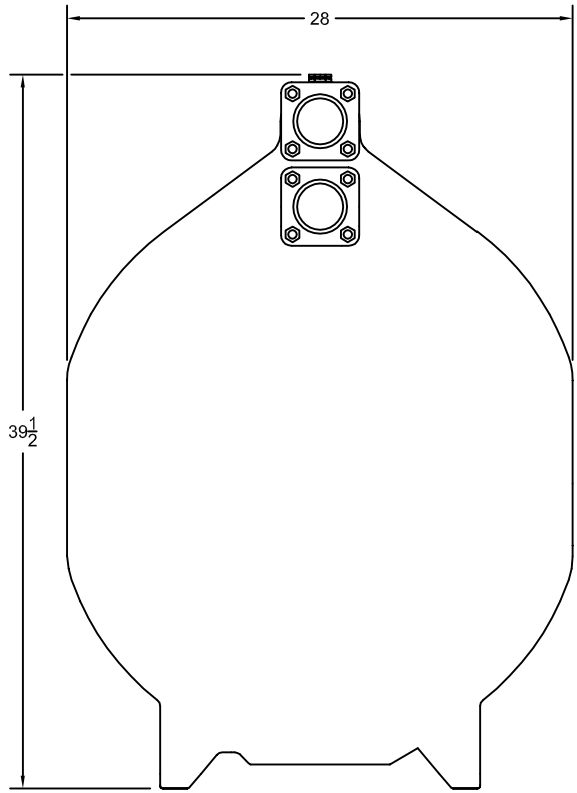
C

B

B

A

A



NOTE 1. All dimensions are in inches.  
 2. Door Dimensions are not included.

Bosch Thermotechnology Corp.  
 50 Wentworth Ave.  
 Londonderry, NH 03053  
 Phone: 603-552-1100

Tolerance  
 Fraction = ± 1/4"  
 x.x = ± 0.030  
 x.xx = ± 0.015  
 x.xxx = ± 0.005  
 (UNLESS OTHERWISE NOTED)

This drawing is the exclusive property of Bosch Thermotechnology Corporation, it may not be reproduced or given to third parties.

Drawn By:  
 M SPIRIDIGLOZZI  
 Approved By:  
 J MILLS

**Buderus**  
 Bosch Group

Bosch Thermotechnology Corp.

DESCRIPTION  
 G315-7 BOILER BLOCK DIMENSIONS

SIZE <b>A</b>	SCALE NTS	PART NO. BTC 410006108	REV. A
------------------	--------------	---------------------------	-----------

DATE 5/6/2009

SHEET 1 of 1

4

3

2

1

4

3

2

1

REVISIONS

REV	DESCRIPTION	DATE	APPROVED
A	RELEASED		

D

D

C

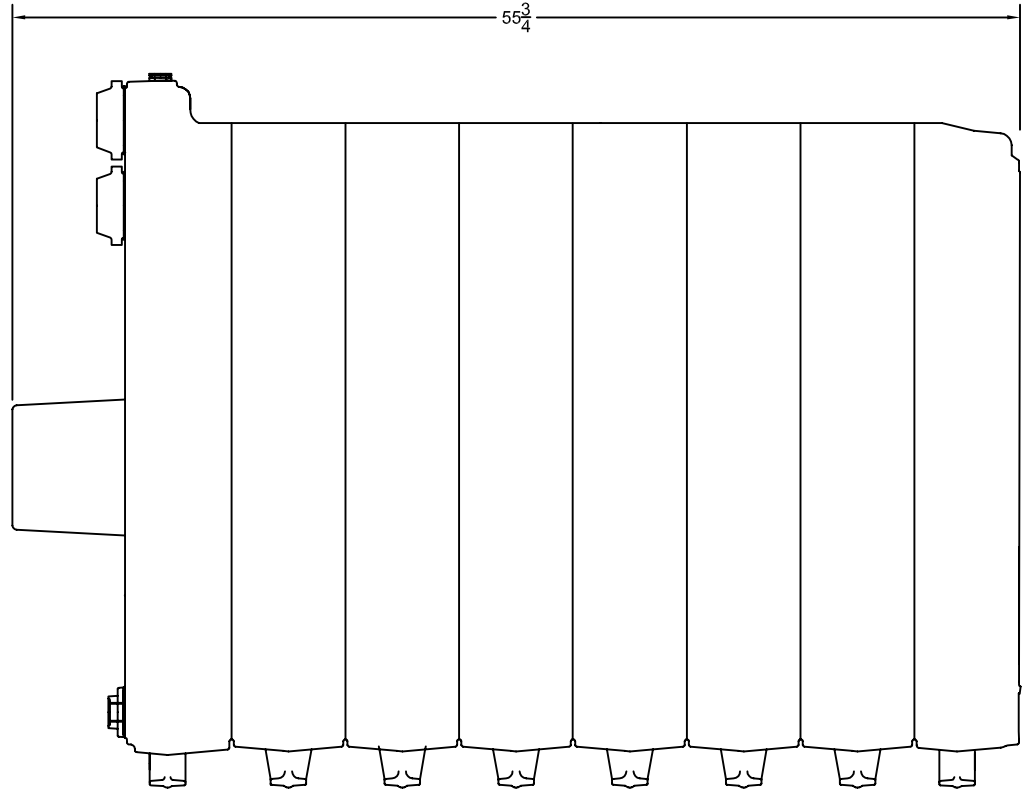
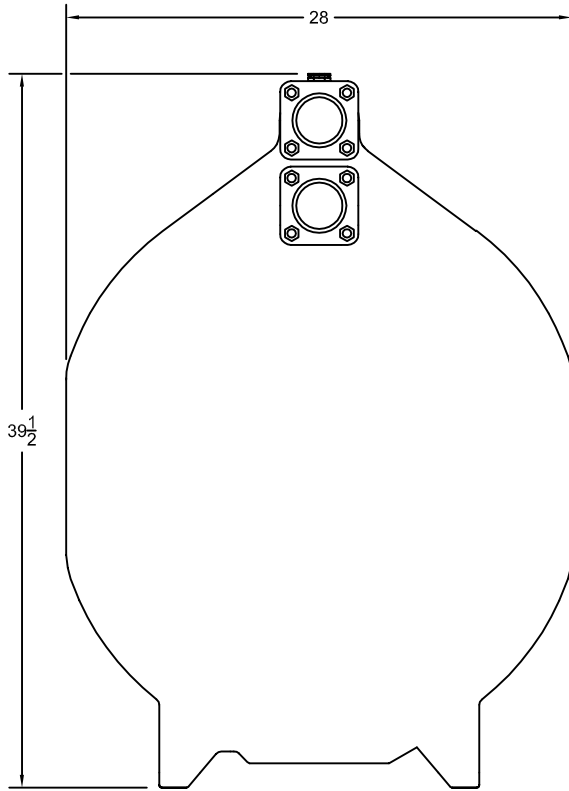
C

B

B

A

A



NOTE 1. All dimensions are in inches.  
 2. Door Dimensions are not included.

Bosch Thermotechnology Corp.  
 50 Wentworth Ave.  
 Londonderry, NH 03053  
 Phone: 603-552-1100

Tolerance  
 Fraction = ± 1/4"  
 x.x = ± 0.030  
 x.xx = ± 0.015  
 x.xxx = ± 0.005  
 (UNLESS OTHERWISE NOTED)

This drawing is the exclusive property of Bosch Thermotechnology Corporation, it may not be reproduced or given to third parties.

Drawn By:  
 M SPIRIDIGLOZZI

Approved By:  
 J MILLS

**Buderus**  
 Bosch Group

Bosch Thermotechnology Corp.

DESCRIPTION  
 G315-8 BOILER BLOCK DIMENSIONS

SIZE <b>A</b>	SCALE NTS	PART NO. BTC 410006109	REV. A
------------------	--------------	---------------------------	-----------

DATE 5/6/2009

SHEET 1 of 1

4

3

2

1

4

3

2

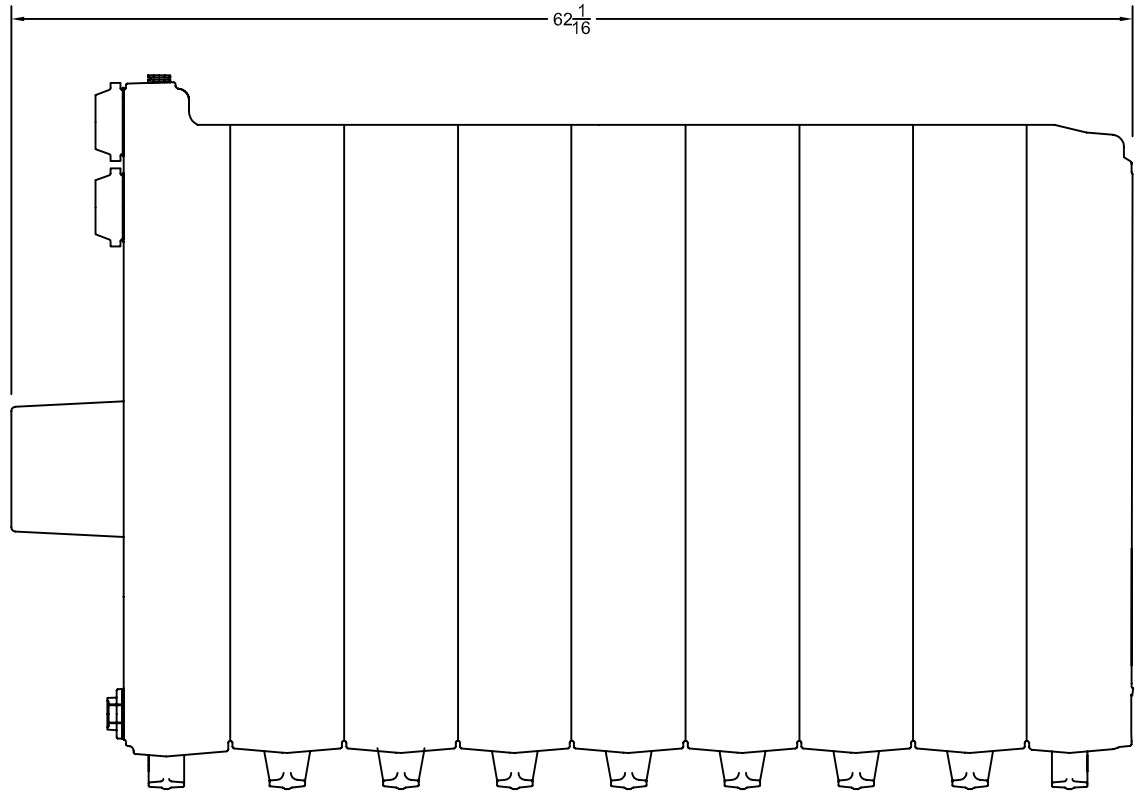
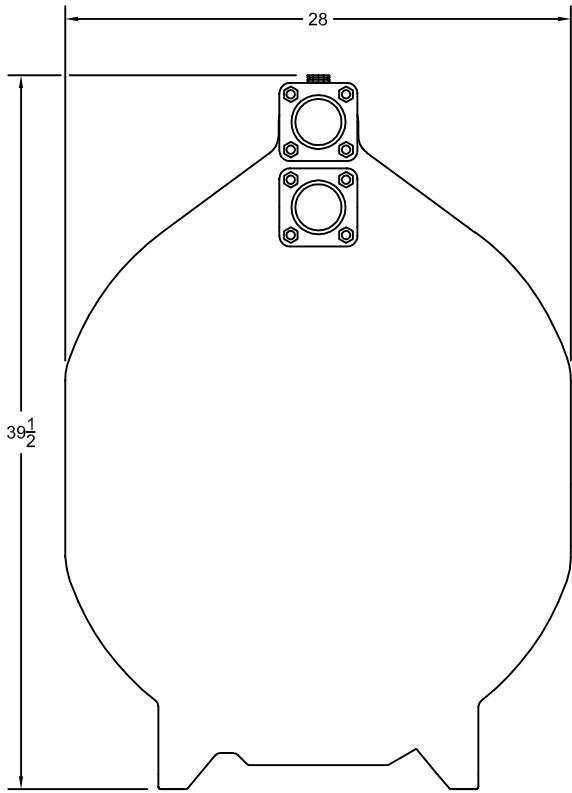
1

REVISIONS

REV	DESCRIPTION	DATE	APPROVED
A	RELEASED		

D

D



C

C

B

B

NOTE 1. All dimensions are in inches.  
 2. Door Dimensions are not included.

Bosch Thermotechnology Corp.  
 50 Wentworth Ave.  
 Londonderry, NH 03053  
 Phone: 603-552-1100

This drawing is the exclusive property of Bosch Thermotechnology Corporation, it may not be reproduced or given to third parties.



Bosch Thermotechnology Corp.

Tolerance  
 Fraction = ± 1/4"  
 x.x = ± 0.030  
 x.xx = ± 0.015  
 x.xxx = ± 0.005

Drawn By:  
 M SPIRIDIGLOZZI  
 Approved By:  
 J MILLS

DESCRIPTION  
 G315-9 BOILER BLOCK DIMENSIONS

SIZE <b>A</b>	SCALE NTS	PART NO. BTC 4100061010	REV. A
------------------	--------------	----------------------------	-----------

(UNLESS OTHERWISE NOTED)

DATE 5/6/2009 SHEET 1 of 1

4

3

2

1

A

A